

## G1830-MK Central Locking System

### Features

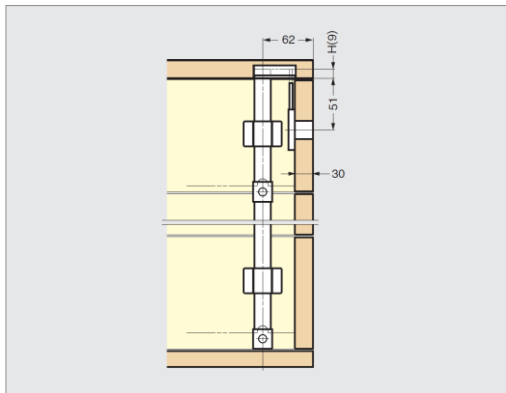
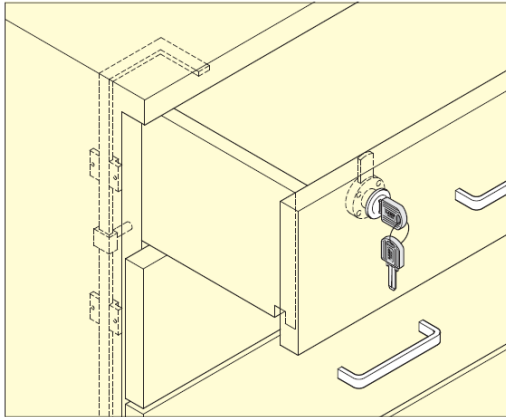
- Interchangeable cylinder lock with master key system
- Locks all drawers on one side simultaneously
- 7,800 key changes available (max. 750 key changes per master key)
- Keys can be shared with **G1330GL-MK** and **G6830-30MK**
- Cylinder lock needs to be installed on the front panel of the top drawer
- 4 or more lock parts are sold separately
- Depth of the drawer can be adjusted according to the position of the lock pin
- Right-handed / left-handed bar available

### Notes

- Cylinder can be changed by using change key **GMD-K1**

### Parts Included

- Countersunk head wood screw 2.7×16
- Pan head wood screw 2.7×13



### Sold Separately

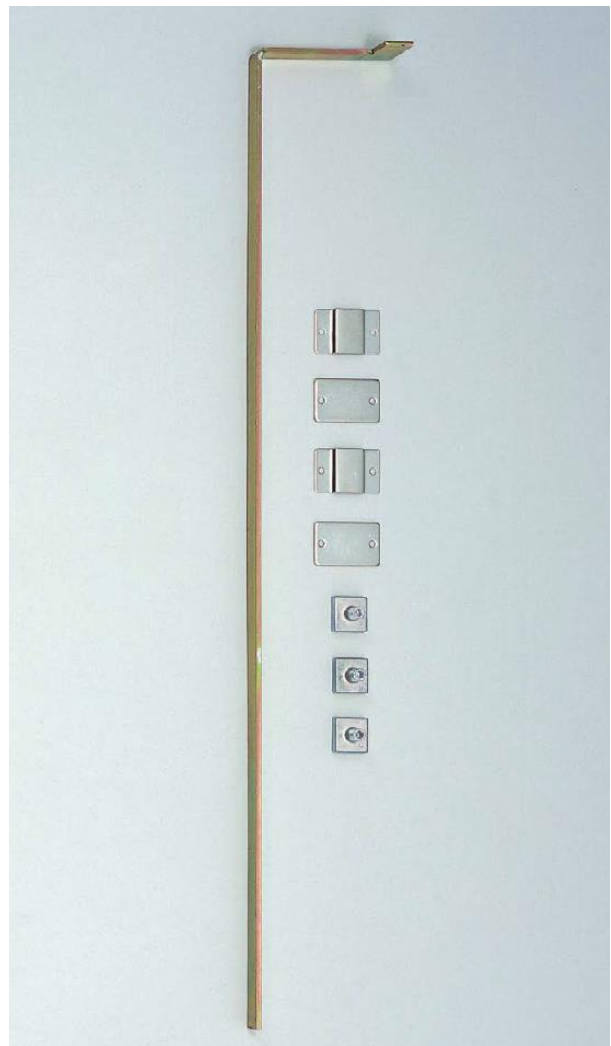
- Cylinder **MD-N1**
- Master key **MD-MK1**, change key **GMD-K1**
- Parts set **GALFR**, **GALFL**

### Optional Parts

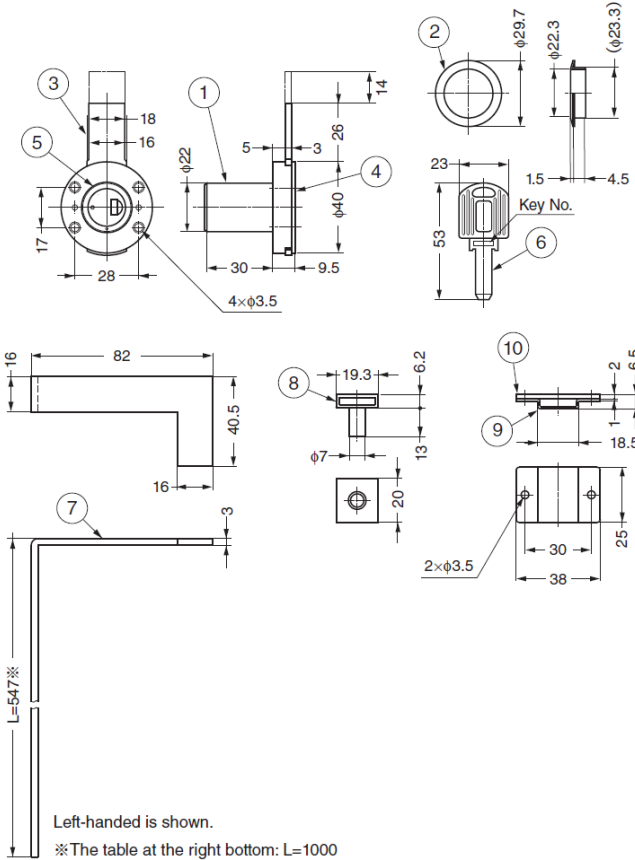
- Parts (⑧ ~⑩)
- Locking peg **GALS-KP**
- Bar **GALFBAR1000**



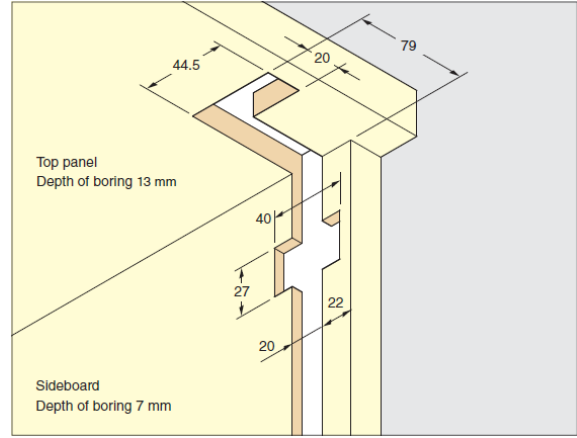
※ Cylinder and key are sold separately



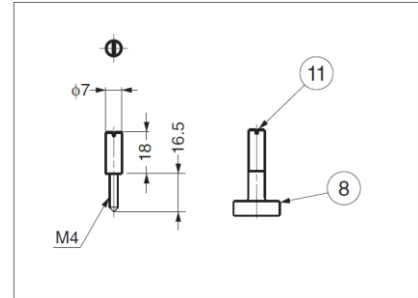
Parts set GALFL (sold separately)



### Cut Out Dimensions



Use Locking Peg inserted into ⑧ for the application with drawer slides



No.	Part Name	Material	Finish/Colour
①	Housing	Zinc Alloy (ZDC)	GA : Gold, Paint/Clear DN : Satin Nickel
②	Ring	Brass	GA : Gold, Paint/Clear DN : Satin Nickel
③	Dead Bolt	Stainless Steel (SUS304)	Polished
④	Cover	Stainless Steel (SUS304)	Polished
⑤	Cylinder (Sold Separately)	Stainless Steel (SUS304)/Zinc Alloy (ZDC)	Polished/Yellow Zinc Chromate
⑥	Key (Sold Separately)	Brass/ABS	Nickel/Black
⑦	Guide Bar (Sold Separately)	Steel	Yellow Zinc Chromate
⑧	Lock Pin (Sold Separately)	Zinc Alloy (ZDC)	Yellow Zinc Chromate
⑨	Guide (Sold Separately)	Steel	Nickel
⑩	Guide Plate (Sold Separately)	Steel	Nickel
⑪	Locking Peg (Option)	Steel	Nickel

### Cylinder Housing (① ~ ④) ※Cylinder ⑤ and Key ⑥ are sold separately

Part No.	Finish	Cylinder Diameter	Stroke of Bar	Door Thickness
G1830-MKGA	Gold, Paint/ Clear	Ø 22	14	30
G1830-MKDN	Satin Nickel			

### Parts Set (⑦ ~ ⑩) (Sold Separately)

Part No.	Left/Right
GALFR	Right
GALFL	Left

### Guide Bar (⑦ L=1000) (Optional Parts)

Part No.	Left/Right
GALFBAR1000R	Right
GALFBAR1000L	Left

### Parts Set (⑧ ~ ⑩) (Optional Parts)

For drawers over 4

Part No.	Description	No.
GALS-LP	Lock Pin for Auto-Lock	⑧
GALS-G	Guide for Auto-Lock	⑨
GALS-GP	Guide Plate for Auto-Lock	⑩

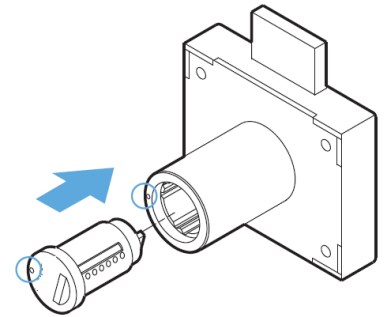
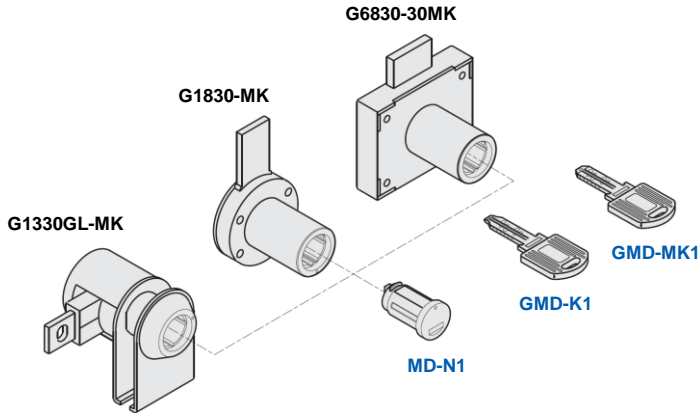
### Locking Peg (⑪) (Optional Parts)

Part No.
GALS-KP

## GMD Interchangeable Lock Series

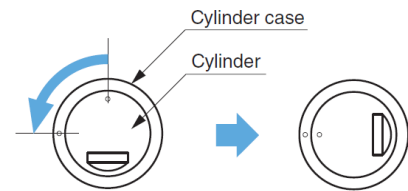
### Features

- Cylinder changeable type with master key system
- Interchangeable system allows easy key management
- 7,800 key changes available
- Master key (sold separately) can manage different key numbers (max. 750 key changes per master key)
- Reversible key



Place two dots in the same position and insert the cylinder.

### How to Remove the Cylinder



Turn cylinder by using the Change Key (optional parts)

Place two dots in the same position

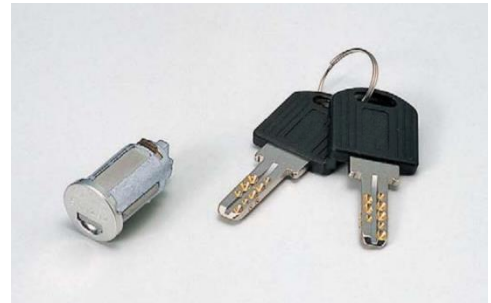
## GMD-N1 Interchangeable Cylinder

### Features

- For G6830-30MK, G1830-MK and G1330GL-MK
- 7,800 key changes available (max. 750 key changes per master key)

### Material

- Stainless steel 304 (polished) / Zinc alloy (yellow zinc chromate finish)



Part No.	Type
GMD-N1-B	Keyed Differently
GMD-N1-D	Keyed Alike

## GMD-K1 / MK1 Change & Master Key

### Features

- GMD-MK1: Master key for easy key management
- GMD-K1: Change key to remove existing cylinder

### Material

- Brass (nickel finish) / ABS (black)



Part No.	Type
GMD-MK1	Master Key
GMD-K1	Change Key